

# WAC LIGHTING

## Lotos R 4"

### Adjustable Downlight 5CCT

Model	Beam	Color Temp & CRI	Lumens	CBCP	Finish
R4ERA2R	W 50	9CS 2700K/3000K/3500K/4000K/5000K - 90	740 775	733 750	BK Black WT White

Fixture Type: \_\_\_\_\_

Catalog Number: \_\_\_\_\_

Project: \_\_\_\_\_

Location: \_\_\_\_\_

Example: **R4ERA2R-W9CS-BK**

#### DESCRIPTION

The wafer-thin Lotos LED Recessed Kit with remote driver combines highquality light output and efficiency while eliminating the need for a large housing. This innovative design can be installed easily as a remodel or new construction with an optional frame-in kit sold separately. Lotos is available in a downlight version for general ambient lighting and an adjustable version with a gimbal that pivots 360 degrees on a hinge. Now available with 5-CCT options.

#### FEATURES

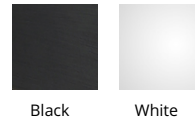
- 5-CCT Switchable between 2700K and 5000K
- Multiple LED array for uniform illumination
- Rotatable multi-axis gimbal ring
- Driver included
- 5 year warranty

#### SPECIFICATIONS

Construction:	Steel with frosted TIR lens
Power:	9W
Input:	120 -277 VAC, 50/60Hz
Dimming:	ELV: 100-5% , TRIAC: 100-5%
Light Source:	Integrated LED
Lens:	Translucent acrylic diffuser
Rated Life:	50000 Hours
Mounting:	Heavy gauge retention clips secures fixture to ceiling
Cut Out:	4"
Finish:	Electrostatically powder coated: Black, White
Ceiling Thickness:	1/2" - 1"
Operating Temp:	-4°F to 104°F (-20°C to 40°C)
Standards:	ETL, cETL, Wet Location Listed, Energy Star 2.0, Title 24 JA8 Compliant, IC, Airtight



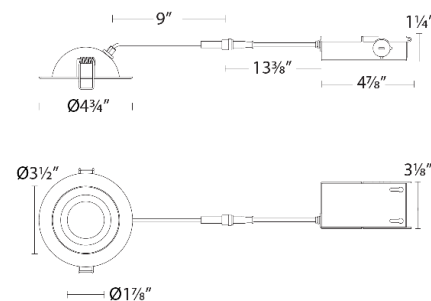
#### FINISHES:



Black

White

#### LINE DRAWING:



Lotos R 4" Adjustable  
R4ERA2R-W9CS-WT

# WAC LIGHTING

**Lotos R 4"**  
Adjustable Downlight 5CCT

Fixture Type: \_\_\_\_\_

Catalog Number: \_\_\_\_\_

Project: \_\_\_\_\_

Location: \_\_\_\_\_

---

## ACCESSORIES

---

*Model*

*Description*

*Finish*

---