

PRESSA ROUND LARGE WALL

VISUAL COMFORT & CO.

PRODUCT FEATURES

- Powerful, long lasting (L70, 70,000 hours) dimmable LED tested against the highest quality standards to ensure it delivers consistent LED performance and color over time.
- Die-cast aluminum structure, powder coat finish, and stainless steel hardware for robust durability in harsh elements. appropriate for commercial use.
- Aluminum construction with stainless steel mounting hardware
- Wet Listed, IP65 Rated. Universal 120V-277V
- Available in modern finish options



Black



Black



Natural Brass

LAMPING

ORDERING INFORMATION

SLOWS290	COLOR TEMP	FINISH
	27 2700K	B BLACK NB NATURAL BRASS

SLOWS290

JOB NAME

NOTES



© 2019 Tech Lighting, L.L.C. All rights reserved. The "Tech Lighting" graphic is a registered trademark of Tech Lighting, L.L.C. Tech Lighting reserves the right to change specifications for product improvements without notification.

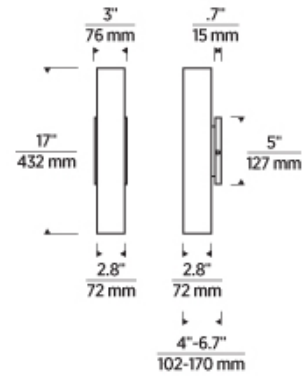
7400 Linder Avenue, Skokie, IL 60077
T 847.410.4400 | F 847.410.4500 | techlighting.com

PRESSA ROUND LARGE WALL

VISUAL COMFORT & Co.

SPECIFICATIONS

PRIMARY MATERIAL	Aluminum or Brass
SHADE MATERIAL	Glass
NET WEIGHT	7 lbs
HEIGHT	17in
WIDTH	4in
LENGTH	3in
WET LISTED	
DAMP LISTED	
DRY LISTED	
GENERAL LISTING	ETL Listed
INCLUDES	



LAMPING SPECIFICATIONS

	LED LAMP	INTEGRATED LED	NON LED	NO LAMP
DELIVERED LUMENS		887		
WATTS		10.6		
MAX WATTAGE PER BULB		Universal 120V-277V 0-10, ELV, TRIAC		
CCT		2700K		
CRI		90 CRI		
LED LIFETIME		>60000		
AVERAGE BULB HOURS				
FIELD SERVICEABLE LED				
LAMP BASE		Integrated LED		
LAMP SHAPE		Integrated LED		
LAMP INCLUDED?		True		
WARRANTY**		5 Years		

* Dimming information available at www.techlighting.com/Downloads#dimming

** Visit techlighting.com for specific warranty limitations and details.

T20 / T24 / JA8 INFORMATION

	Integrated LED	Replacement LED Lamp	No Lamp *
This product can be used to comply with California Building Energy Efficiency Standards 2016 Title 24 Part 6 / JA8.	Yes		
This product can be used to comply with California Appliance Efficiency Standards 2016 Title 20 and may be shipped to and sold in California.			

* If a light fixture or component does not include a lamp or light source, it is the responsibility of the customer to select a lamp that meets the T24 and T20 requirements.

