

# SHANTI X-LARGE PENDANT

VISUAL COMFORT & CO.

## PRODUCT FEATURES

- Contemporary design inspired by the clean lines of an industrial setting
- Works well over tables, kitchen islands, bars and a host of other applications
- Modern finishes available
- Complementary wall sconce light and additional pendant sizes available
- Fully dimmable integrated LED lamp
- Protected by a 5-year warranty, please visit the "About Us" Page on [techlighting.com](http://techlighting.com) for more for warranty details



## LAMPING

Includes 12 watt, 304 total delivered lumens, 90 CRI 2700K LED modules. Dimmable with most LED compatible ELV, TRIAC and 0-10V dimmers. Ships with 4-12" and 2-6" rigid stems. 120V-277V. Sloped ceiling compatible up to 22.5°.

Natural Brass



Natural Brass

Natural Brass Alt View

Dark Bronze

Polished Nickel

## ORDERING INFORMATION

SLPDI35	COLOR TEMP	FINISH
	27 2700K	BZ DARK BRONZE NB NATURAL BRASS N POLISHED NICKEL

SLPDI35 \_\_\_\_\_

JOB NAME \_\_\_\_\_

NOTES \_\_\_\_\_

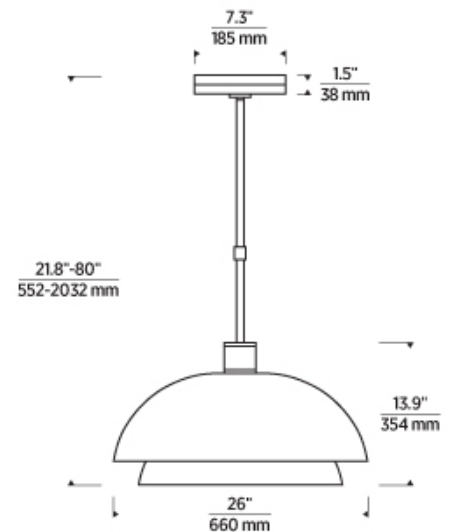


# SHANTI X-LARGE PENDANT

VISUAL COMFORT & Co.

## SPECIFICATIONS

PRIMARY MATERIAL	Steel Or Brass
SHADE MATERIAL	Steel Or Brass
NET WEIGHT	29.5 lbs
HEIGHT	13.9in
WIDTH	26in
LENGTH	26in
UP LIGHT / DOWN LIGHT / BOTH?	
WET LISTED	
DAMP LISTED	
DRY LISTED	
MIN. HANGING HEIGHT	21.8in
MAX HANGING HEIGHT	80in
TOTAL CORD LENGTH	
TOTAL STEM LENGTH	Up to 60in
STEM QTY	6
SLOPED CEILING ADAPTABLE?	Yes 22.5° Max
GENERAL LISTING	ETL Listed
INCLUDES	



## LAMPING SPECIFICATIONS

	LED LAMP	INTEGRATED LED	NON LED	NO LAMP
DELIVERED LUMENS		304		
WATTS		12		
MAX WATTAGE PER BULB		12W		
		Universal 120V-277V 0-10, ELV, TRIAC		
CCT		2700K		
CRI		90 CRI		
LED LIFETIME				
L70		>50000		
AVERAGE BULB HOURS				
FIELD SERVICEABLE LED				
LAMP BASE		Integrated LED		
LAMP SHAPE		Integrated LED		
LAMP INCLUDED?		True		
WARRANTY**		5 Years		

\* Dimming information available at [www.techlighting.com/Downloads#dimming](http://www.techlighting.com/Downloads#dimming)

\*\* Visit [techlighting.com](http://techlighting.com) for specific warranty limitations and details.

## T20 / T24 / JA8 INFORMATION

	Integrated LED	Replacement LED Lamp	No Lamp *
This product can be used to comply with California Building Energy Efficiency Standards 2016 Title 24 Part 6 / JA8.	Yes		
This product can be used to comply with California Appliance Efficiency Standards 2016 Title 20 and may be shipped to and sold in California.			

\* If a light fixture or component does not include a lamp or light source, it is the responsibility of the customer to select a lamp that meets the T24 and T20 requirements.

