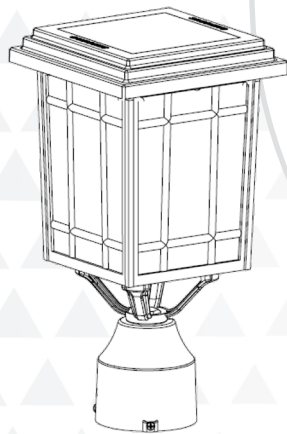
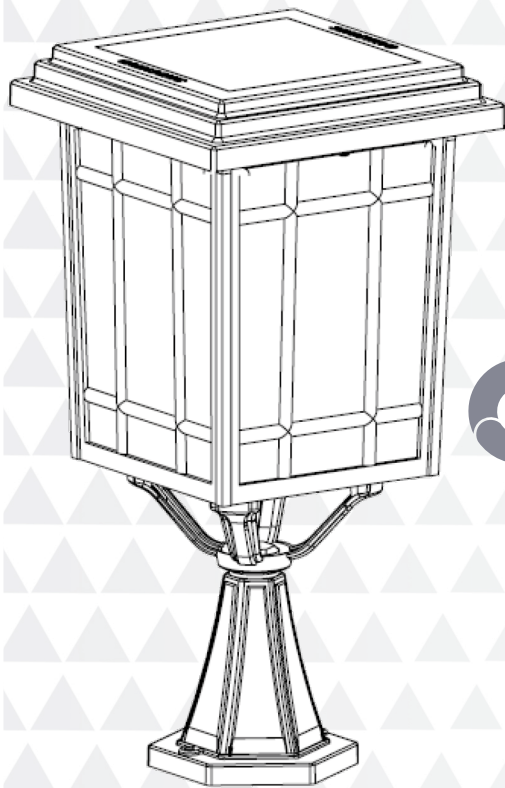
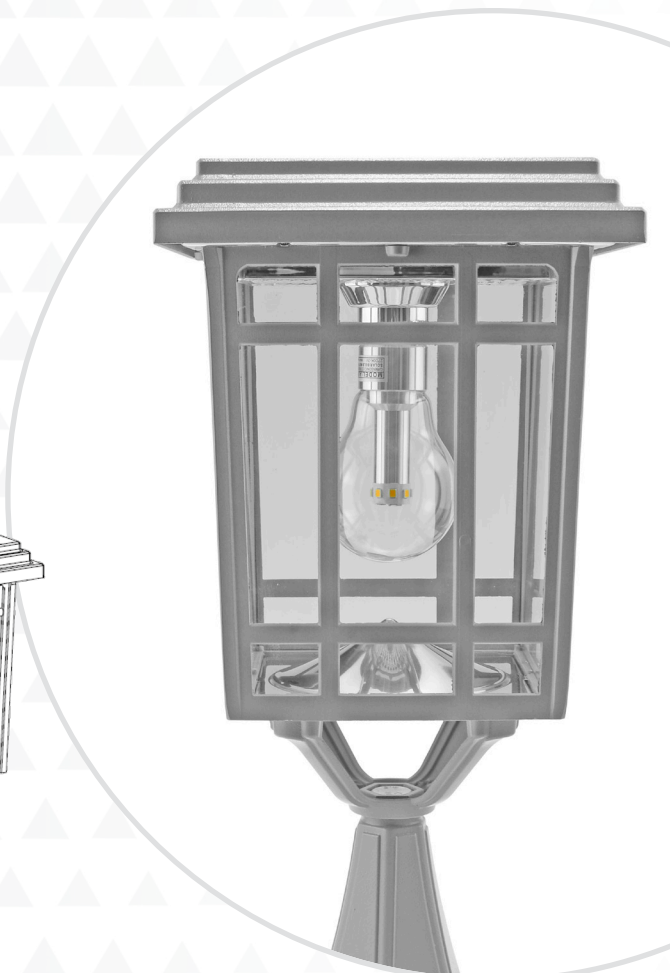
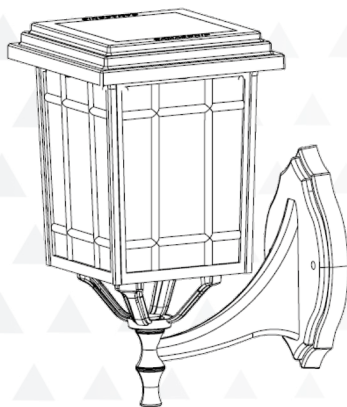


GAMA SONIC[®]

SOLAR LIGHTING



MOUNTING OPTIONS




PRAIRIE BULB SOLAR LAMP

Part # 114B033, 114B333, 114B50833

US patents
7172307, 9458970

Instruction Manual

 Please read the instruction manual carefully to obtain the best results from your purchase.

Thank you for your purchase! GAMA SONIC® solar charged lights are brighter and last all night with a typical solar charge. Unique design, superior light output and numerous installation options confirm the outstanding value of our product. **GAMA SONIC®** has been recognized as a worldwide leader in the lighting industry for over 20 years.

Technical Assistance / Warranty Claims / Replacement Parts
Toll-Free number: +1-800-835-4113 (only within the US) or www.gamasonic.com

Visit our website or download the latest version of your instruction manual:
www.gamasonic.com or www.gamasonic.com/user-guides

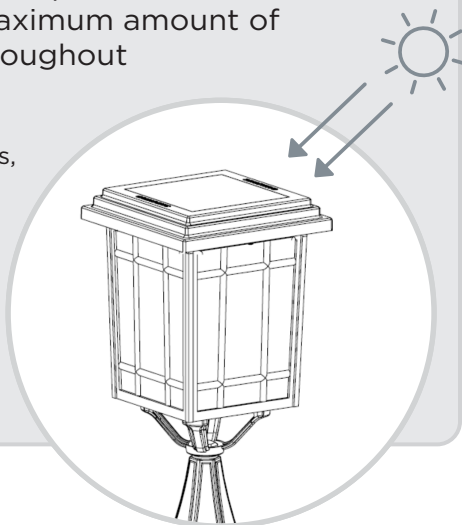
Gama Sonic's Bulb Technology

Gama Sonic's patented Bulb technology gives your solar lamp the look and feel of a traditional incandescent lamp. This helps to distribute light further than traditional solar lamps.

Solar Lamp Location

For optimum light duration throughout the night, it is very important to mount your solar lamp in a spot where it will receive the maximum amount of direct sunlight throughout the day.

NOTE: For best results, the solar light must be charged in the "High or Low" position for at least 2 days of full direct sunlight.

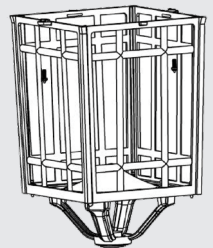


What's In The Box

A



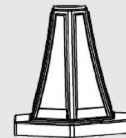
B



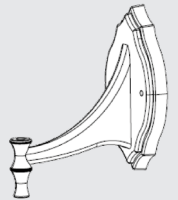
C



D



E



BULB



SCREWS & ANCHORS



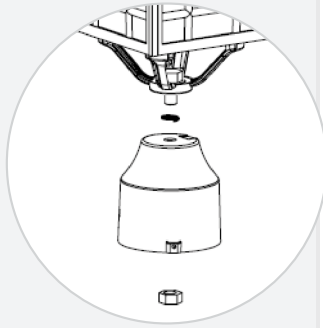
Assembly Instructions

3" Pole/Fitter Mount

NOTE: If you are replacing an existing gas/electric post light, you must consult a certified technician to properly disconnect and secure the gas/electric connection.

1. Attach the 3" fitter (C) to the fixture (B) using the bolt and secure from inside the fitter (C) using the lock washer and nut.
2. Place the fitter (C) on top of the 3" post and secure using the 3 screws provided.

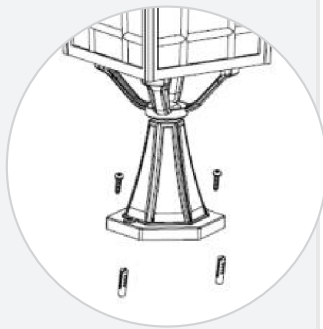
NOTE: Be sure to not overtighten the set screws.



Pier Mount

1. Using the pier base (D) as a template, mark and drill two holes no larger than the provided anchors.
2. Place the anchors in the holes and secure the pier base (D) with the provided screws.
3. Attach the fixture (B) to the pier base (D) using the bolt and twist the fixture (B) clockwise until secure.

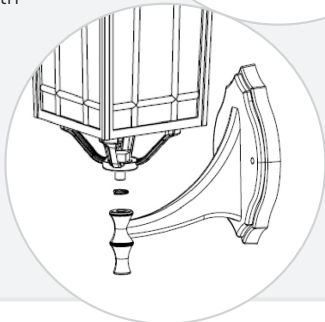
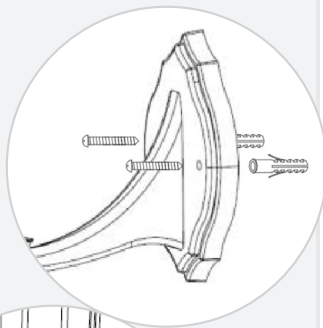
NOTE: There are specific types of screws for specific surfaces. If unsure of the appropriate type of screw to use on your surface, please consult a professional.



Wall Mount

NOTE: For best results, position your solar lamp so it is facing south.

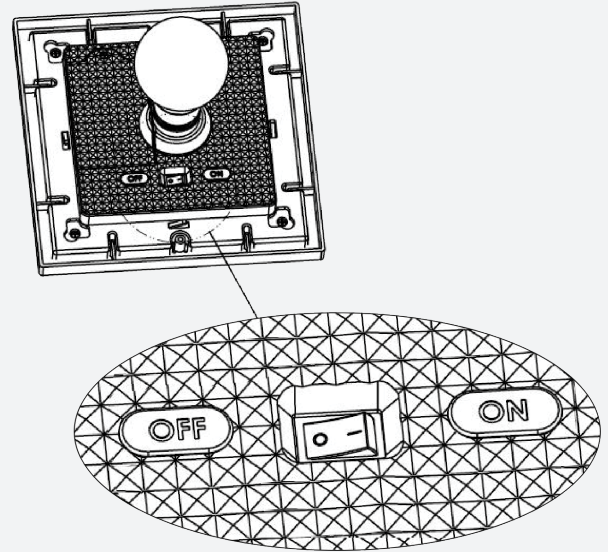
1. Using the wall mount (E) as a template, mark and drill two holes no larger than the provided anchors.
2. Place the anchors in the holes and secure to wall mount (E) with the provided screws.
3. Attach the fixture (B) to the wall mount (E) using the bolt and twist the fixture (B) clockwise until secure.



Operation Instructions

1. Remove the top (A) from the fixture (B) by removing the two screws under the top (A).
2. Install the GS Solar LED Bulb by twisting clockwise.
3. Switch the lamp to the ON position.
4. Replace the top (A) on the fixture (B) and secure with the screws removed earlier.
5. Your lamp will turn on automatically at dusk.

NOTE: If there is a film covering the solar panel, make sure to remove this by peeling it off.



Replacement Parts

Replacement Batteries and Bulbs are available at www.gamasonic.com or via our Toll Free number: +1-800-835-4113

Your Lamp can use the following bulbs:

A50WW10W – included bulb with Warm White LEDs (2700K)

A50BW10W – bulb with Bright White LEDs (6000K)

F30WW05W – Flame bulb with simulated flame LEDs

T45WW10W – Edison LED Bulb with Warm White LEDs (2700k)

Your lamp uses the following battery:

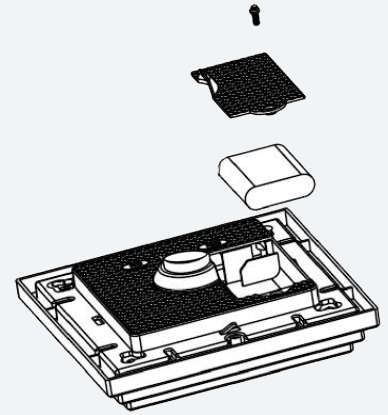
GS36V08



Replacing the battery

GAMA SONIC®
SOLAR LIGHTING

1. Remove the top (A) from the lamp by removing the two screws.
2. Switch the lamp to the OFF position and remove the bulb.
3. Remove the battery compartment cover that is held in with a screw.
4. Remove and unclip the old battery.
5. Make sure the new battery is a high quality Ni-MH 3.6V/800mAh battery (Item GS36V08)
6. Clip the battery in and place the battery in the compartment.
7. Reinstall the battery compartment cover and screw.
8. Reinstall the bulb and switch the lamp to the ON position.
9. Reinstall the top (A) to the lamp and secure with the two screws removed earlier.



Batteries are available for purchase at www.gamasonic.com

WARNING: Do not dispose of Li-Ion batteries in the regular trash, municipal waste stream or by fire as batteries may leak or explode. Do not open, short circuit, or mutilate batteries as injury may occur. Preserve our environment by recycling Li-Ion batteries or disposing of them in accordance with local, State, and federal regulations. Do not mix old and new batteries.

Maintenance

Clean the solar panels regularly with a damp towel to guarantee optimum performance. Do not use any type of solvent for cleaning and be careful not to put too much pressure on the solar panels while cleaning.

Troubleshooting

If your solar light does not come on as expected despite observance of all the instructions, please try the following steps:

1. Make sure that the solar lamp is not being affected by any other light source.
2. Ensure the solar lamp is not positioned in the shade during the day.
3. Check that the batteries are installed correctly.

NOTE: The performance of the solar lamp will vary with the time of year. It will last longer when it has had a full day in the sun rather than a day in overcast weather.



WINTERTIME TIPS: For optimal performance, be sure to remove any snow or debris accumulation from solar panel(s). A solar panel free of debris will charge the batteries much more efficiently.

WARNING: Please keep out of reach of children. Do not dispose of the Li-Ion battery in the regular trash, municipal waste stream or by fire as batteries may leak or explode. Do not open, short circuit, or mutilate batteries as injury may occur. Preserve our environment by recycling Li-Ion batteries or disposing of them in accordance with local, State and federal regulations. Do not mix old and new batteries.

