

5" Sloped Ceiling IC Airtight New Construction Housing

ELCO Slant allows for installation in sloped ceilings ranging from 2/12 (10°) to 6/12 (26.5°). Can be used in insulated ceilings. Fits in 2" x 8" joist construction.



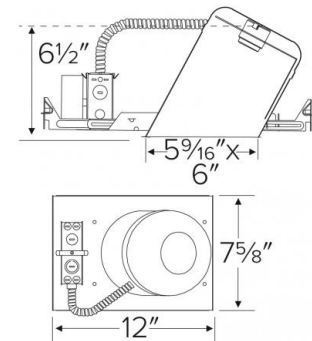
Features

- Airtight Slope IC New Construction Housing.
- Single wall aluminum construction for use in insulated ceilings.
- Designed for use in 2/12 to 6/12 sloped ceiling.
- Thermal Protector guards against improper lamping.
- Lamps: Medium Base Incandescent, CFL or LED.
- UL Listed for damp location and for feed through.

Specifications

Wattage	75W
Voltage	120V
Lamp Type	Medium Base (E26)
Wet Location	Listed with Wet Location Trim
Damp Location	Listed

Dimensions



Technical Details

Construction:

- IC Rated for Direct Contact with Insulation.
- Designed for use in 2/12 to 6/12 sloped ceiling.
- Housing adjusts in frame to accommodate up to 1 1/4" ceiling thickness.
- Aluminum housing for greater heat dissipation. Stamped galvanized steel frame.

Installation: Designed for ceiling plenums where 2x8 joists or taller are used. High strength hanger bars can easily be nailed to joists. Template for hole cutout is provided with each housing. Suitable for T-grid and drop ceiling applications. See installation sheet for detailed information.

Junction Box: Positioned to accommodate straight conduit runs. Seven 1/2" trade size conduit knockouts and four pry-out knockout slots for easy romex installation.

Hanger Bars: Pre-installed hanger bars with True Nail easy installation in regular lumber, engineered lumber, and Laminated Beams. Integral T-bar slots for easy installation in T-Bars. Spans up to 24" and can be repositioned 90°. Score lines allow for tool-free hanger bar size reduction. Integral leveling flange allows for single-person installation while aligning the housings with the joists.

Electrical:

- Rated for 120V or 277V input.
- For 277V step down to 120V housing consult factory.

Trims: Compatible with ELCO 5" Line Voltage Slope PAR trims.

Lamp: Designed for use with Medium Base (E26) PAR lamps up to 75W.

Listings:

- UL Listed for Damp Location.
- UL Listed for Direct Contact with Insulation and Combustible Material.
- UL Listed for Feed Through.
- AirTight: Per ASTM E-283.

Product Number

Item	Lamp type	Watts	Voltage
EL518ICA	Medium Base (E26)	75W	120V

