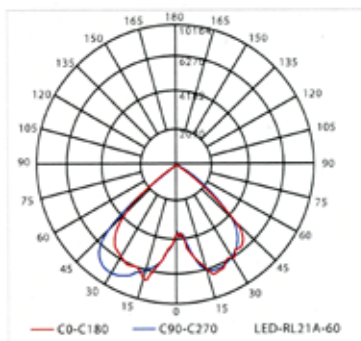
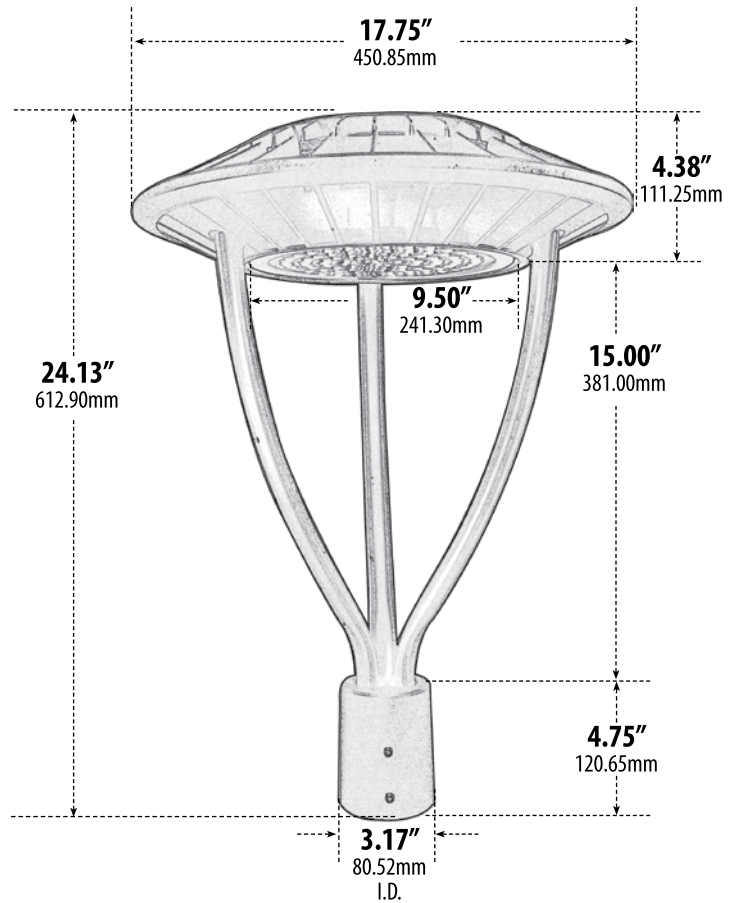


GM575-LED80

POST TOP FIXTURE



- ▶ **Material:** Powder Coated Cast Aluminum
- ▶ **Lens:** Clear, Heat Resistant, Polycarbonate Lens
- ▶ **Available Finish:** Black, Bronze, Verde Green
- ▶ **Color Temperature:** 5000
- ▶ **Lumens:** 8192
- ▶ **Replaces:** 250 - 400W HID
- ▶ **DLC & ETL Approved**

MODEL NUMBER	LAMP TYPE	ILLUMINANT TYPE	WATTS (W)	VOLTS (V)	LAMP(S) INCLUDED?
GM575-LED80	LED	LED MODULE	80	120-277	YES

Overall Dimensions:
24.13"H x 17.75"W x 17.75"D

Weight: 6.1 lbs
Approximate Wire Length: N/A
Box Dimensions: N/A

DABMAR
LIGHTING

DABMAR LIGHTING INCORPORATED

2140 Eastman Ave . Oxnard, CA 93030 . 805.604.9090 . f: 805.604.9050 . www.dabmar.com